

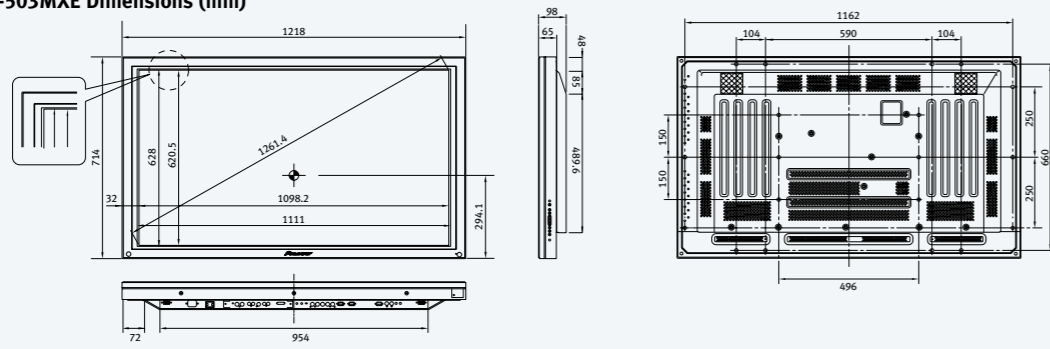
PDP-503MXE Accessories

Accessories included	Optional accessories
Cleaning cloth	x 1 Video card (PDA-5002)
Speed clamp	x 2 Side mount speakers (PDP-S05-LR)
Bead band	x 2 Table top stand (PDK-TS01)
Remote control unit	x 1 Ceiling mount kit (PDK-5012)
AA(R6) Battery	x 2 Angled hang on wall unit (PDK-5011)
Hex hole bolt (M8 x 40)	x 2 Wall mounting bracket (PDK-5013)
Washer	x 2 PDP bracket (PDK-5005)
Desktop stand	x 2 Cable cover (PDA-P01)
Remote control unit holder	x 1 Mobile cart (PDK-5014)
Operation instructions	

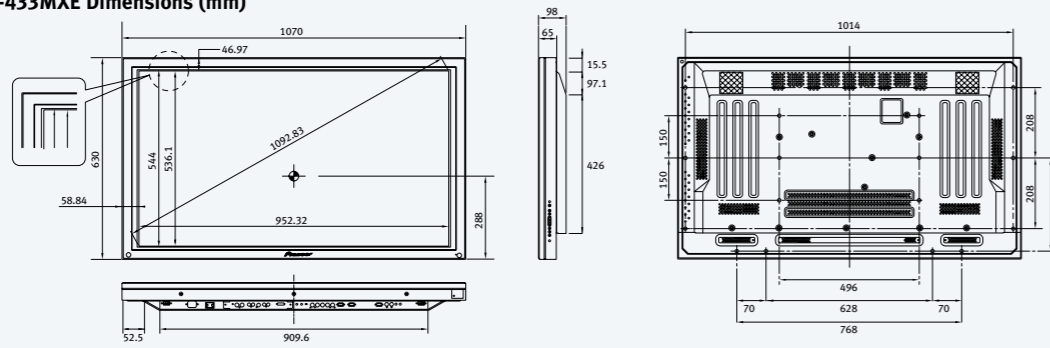
PDP-433MXE Accessories

Accessories included	Optional accessories
Cleaning cloth	x 1 Video card (PDA-5002)
Speed clamp	x 2 Side mount speakers (PDP-S07-LR)
Bead band	x 2 Table top stand (PDK-TS01)
Remote control unit	x 1 Ceiling mount unit (PDK-5012)
AA(R6) Battery	x 2 Angled hang on wall unit (PDK-5011)
Hex hole bolt (M8 x 40)	x 2 Wall mounting bracket (PDK-5013)
Washer	x 2 PDP bracket (PDK-4303)
Desktop stand	x 2 Cable cover (PDA-P01)
Remote control unit holder	x 1 Mobile cart (PDK-5014)
Operation instructions	
Ferrite core	x 1
Cable tie	x 1

PDP-503MXE Dimensions (mm)



PDP-433MXE Dimensions (mm)



Macintosh is a registered trademark of Apple Computers Inc. PC-9800 is a registered trademark of NEC Corporation. All product names and company names are registered trademarks of their respective owners. Published by Pioneer Europe N.V Multimedia Division. Copyright 2002 by Pioneer Europe N.V All rights reserved.

Notice: This equipment is sold on the condition that it will be installed by a competent professional engineer with sufficient training and skill to carry out proper installation. Be sure to entrust the installation and set-up of this machine only to a competent professional or retail service engineer.

Pioneer cannot accept liability in cases where the equipment is damaged due to inappropriate installation location, improper assembly, installation, set-up, operation, renovation, or by natural disasters.

Features and specifications of the products described or illustrated in this catalogue are correct at the time of printing but could change as production changes might occur. This catalogue may contain typographical errors and the colours of the depicted products may deviate slightly from reality. Consult your Pioneer dealer to ensure that actual features and specifications match your requirements.

This catalogue may contain references to products that may or will not be available in your country.

PIONEER EUROPE NV
Multimedia Division, Slough SL2 4QP, UK
Tel +44 (0) 1753 789789
Fax +44 (0) 1753 789880

ULKOKAUPAT OY (FINLAND)
Tel +358 (0) 9 521 788
Fax +358 (0) 9 521 4702
www.pioneer.ulkokaupat.fi

PIONEER SCANDINAVIA AB (SCANDINAVIA)
Tel +46 (0) 8 609 91 00
Fax +46 (0) 8 771 10 15

PIONEER BELGIUM (BELGIUM)
A Branch of Pioneer Benelux B.V.
Tel +32 (0) 3 570 0500
Fax +32 (0) 3 570 0884
www.pioneer-benelux.com

AUDIO VISION IMPORT LIMITED (IRELAND)
Tel +353 1 240 5600
Fax +353 1 450 4870

PIONEER ELECTRONICS IBERICA S.A. (SPAIN)
Tel +34 (0) 93 739 9900
Fax +34 (0) 93 729 4153

PIONEER EUROPE NV (BELGIUM)
Direct Sales Division
Tel +32 (0) 3 570 0511
Fax +32 (0) 3 570 0883
www.pioneer-eur.com

PIONEER BENELUX B.V. (NETHERLANDS)
Tel 0900 PIONEER (0900 7466337)
Fax +31 (0) 36 536 5511
www.pioneer-benelux.com

SACOM LTD (SWITZERLAND)
Tel +41 (0) 32 332 8500
Fax +41 (0) 32 332 86 00

PIONEER DENMARK A/S (DENMARK)
Tel +45 (0) 43 55 54 00
Fax +45 (0) 43 55 54 01
www.pioneer.dk

PIONEER NORGE AS (NORWAY)
Tel +47 (0) 22 09 30 00
Fax +47 (0) 22 09 30 01
www.pioneer.no

PIONEER GB LTD (UNITED KINGDOM)
Tel +44 (0) 1753 789 789
Fax +44 (0) 1753 789 539
e-mail: plasma@pgb.pioneer.co.uk
www.pioneerplasma.co.uk

<http://www.pioneer-plasma.com>

Designed and produced by Planet Interactive Arts Limited, www.planet-ia.co.uk

DIS-4PP-EN

PDP-503MXE / PDP-433MXE SPECIFICATIONS

- 50 and 43 inch Screen Sizes
- Outstanding Brightness
- Ultra High Contrast
- Superior Colour Purity
- 16:9 Aspect Ratio
- True XGA Compatibility
- Wide Range of Inputs
- High Reliability and Durability

50"/43" Professional Plasma Display

PDP-503MXE Specifications

PDP-503MXE General specification	
Effective screen size (W x H)	1098.2 x 620.5mm (50 - inch diag)
Aspect ratio	16:9
Number of pixels	1280 (Hor) x 768 (Ver)
Pixel pitch	0.858mm (Hor/RGB trio) x 0.808mm (Ver)
Colour resolution	832 grey scale, 576 million colours
Brightness	900 cd/m ² (white peak)
Contrast ratio	900:1 (dark environment)
Viewing angle	More than 160°(Hor) more than 160°(Ver)
Dimensions (W x H x D)	1218 x 714 x 98mm
Weight	38.9kg
Power consumption	380 W (1W at stand by)
Power requirements	AC 100 ~ 240V ±10%, 50/60Hz (3.8-1.6A)
Operating temperature	0°C ~ 40°C
Operating humidity	20% ~ 80%
Operating atmospheric pressure	0.8 ~ 1.1 atmospheric pressure
Safety regulations	CE (EN60950, EN55022 classB, EN55024, EN61000-3-2, EN61000-3-3), IEC950, C-Tick (AS/NZS3260, AS/NZS3548)

PDP-503MXE Video input/output terminals			
Input	Connector	Signal	Level/Impedance
Input 1	IN	Mini D-sub 15-pin	RGB signal (G on Sync compatible) RGB : 0.7Vp-p/75Ω G on Sync : 1Vp-p/75Ω HD/CS,VD : TTL level/2.2kΩ
	OUT	Mini D-sub 15-pin	Compatible with Microsoft Plug & Play (VESA DDC 1/2B) 75Ω
Input 2	IN	BNC x 5	RGB signal (G on Sync compatible) RGB : 0.7Vp-p/75Ω G on Sync : 1Vp-p/75Ω HD/CS,VD : TTL level/75Ω or 2.2kΩ switchable
	OUT	BNC x 5	75Ω

PDP-503MXE Audio input/output terminals			
Input/Output	Connector	Signal	Level/Impedance
Audio input (Input 1/2)	IN	Stereo mini	L/R : 500mVrms/more than 10kΩ
Audio output	OUT	Stereo mini	L/R : 500mVrms/less than 5kΩ (Fix) L/R : 0 ~ 500mVrms/less than 5kΩ (Variable)
Speaker	OUT		L/R : 8 ~ 16Ω/2W + 2W (8Ω)

PDP-503MXE Personal computer input signal			
Resolution (dot x line)	Vertical frequency	Horizontal frequency	Usage
640 x 400	56.4 Hz	24.8 kHz	NEC PC-9800
	70.1 Hz	31.5 kHz	NEC PC-9800
640 x 480	60.0 Hz	31.5 kHz	(852 x 480) (864 x 480)
	66.7 Hz	35.0 kHz	Apple Macintosh 13"
800 x 600	72.0 Hz	37.9 kHz	
	75.0 Hz	37.5 kHz	
832 x 624	85.0 Hz	43.3 kHz	
	56.0 Hz	35.2 kHz	
852 x 480	60.0 Hz	37.9 kHz	
	72.0 Hz	48.1 kHz	
1024 x 768	75.0 Hz	46.9 kHz	
	85.0 Hz	53.7 kHz	
1152 x 864*	74.6 Hz	49.7 kHz	Apple Macintosh 16"
	60.0 Hz	31.7 kHz	
1152 x 870*	60.0 Hz	48.4 kHz	
	70.0 Hz	56.5 kHz	
1152 x 900*	75.0 Hz	60.0 kHz	
	85.0 Hz	68.7 kHz	() Indicates Apple Macintosh 19"
1280 x 768	60.0 Hz	31.7 kHz	
	75.1 Hz	68.7 kHz	Apple Macintosh 21"
1280 x 960*	66.0 Hz	61.8 kHz	Sun Microsystems LO
	76.0 Hz	71.7 kHz	Sun Microsystems HI
1280 x 1024*	56.0 Hz	45.1 kHz	
	60.0 Hz	48.4 kHz	
1600 x 1200*	70.0 Hz	55.5 kHz	
	60.0 Hz	60.0 kHz	
1280 x 960*	60.0 Hz	64.0 kHz	
	75.0 Hz	80.0 kHz	
1280 x 1024*	85.0 Hz	91.1 kHz	
	60.0 Hz	75.0 kHz	
1600 x 1200*	65.0 Hz	81.3 kHz	
	70.0 Hz	87.5 kHz	
* Compressed or partial display	75.0 Hz	93.8 kHz	
	85.0 Hz	106.3 kHz	

PDP-503MXE with PDA-5002 PC signal (DVI)		
Resolution (dot x line)	Vertical frequency	Horizontal frequency
640 x 480	60.0 Hz	31.5 kHz
800 x 600	56.0 Hz	35.2 kHz
	60.0 Hz	37.9 kHz
1024 x 768	60.0 Hz	48.4 kHz
1152 x 864*	60.0 Hz	53.7 kHz
1280 x 768	56.0 Hz	45.1 kHz
	60.0 Hz	48.4 kHz
1280 x 960*	60.0 Hz	60.0 kHz
1280 x 1024*	60.0 Hz	64.0 kHz

* Compressed or partial display

Personal computer screen display						
	VGA	SVGA	XGA	WXGA	SXGA*	UXGA*1
True						
4:3 Expanded / Compressed						
Full						
Partial						

* 4:3 and Full pictures are compressed. Partial images are shown in real size. *1 Compressed

PDA-5002 General specification	
Dimensions (W x H x D)	243.8 x 27.6 x 148.9mm
Weight	0.3 kg
Operating temperature	0°C ~ 40°C

PDA-5002 Accessories included	
Pin/BNC conversion adaptor	x 1
Screws	x 2
Label for remote control unit	x 1
Connector indicator label	x 1
Operating instructions	

PDA-5002 Audio input/output terminals			
Input/Output	Connector	Signal	Level/Impedance
Audio input (Input 3)	IN	Pin x 2 (L/R)	L/R : 500mVrms/more than 10kΩ
Audio input (Input 4)	IN	Pin x 2 (L/R)	L/R : 500mVrms/more than 10kΩ

PDA-5002 Video input/output terminals			
Input	Connector	Signal	Level / Impedance
Input 3	IN	Mini DIN 4 pin (S terminal)	Y/C separate video signal Y : 1Vp-p/75Ω C : 0.286Vp-p/75Ω (NTSC) C : 0.3Vp-p/75Ω (PAL)
	OUT	BNC	75Ω
Input 4	IN	BNC	Composite video signal 1Vp-p/75Ω
	OUT	BNC	Composite video signal 75Ω
Input 5	IN	DVI-D 24 pin	Digital RGB signal (DVI Standard)*1 Compatible with Microsoft Plug & Play (VESA DDC 2B)
	OUT	DVI-D 24 pin	75Ω

*1: not complied to copy protection

PDP-503MXE/433MXE with PDA-5002 Video input signal compatibility	
3.58NTSC, 4.43NTSC, PAL, PAL M, PAL 60, SECAM	

PDP-503MXE/433MXE Control terminals		
RS-232C (for control by personal computer)	Connector	D-sub 9-pin
Combination IN/OUT	Baud rate	1200, 2400, 4800, 9600, 19200, 38400 bps
Control IN/OUT	Connector	Mini-DIN 6-pin (x2)
	Connector	Mini jack (x2)

PDP-433MXE Specifications

PDP-433MXE General Specifications	
Effective screen size (W x H)	952.32 x 536.1 mm (43in. Diag.)
Aspect ratio	16:9
Number of pixels	1024 (Hor.) x 768 (Ver.)
Pixel pitch	0.930 mm (Hor/RGB trio) x 0.698 mm (Ver.)
Colour resolution	832 grey scale, 576 million colours
Brightness	1000 cd/m ² (white peak)
Contrast ratio	1000:1 (dark environment)
Viewing angle	More than 160° (Hor.), more than 160° (Ver.)
Dimensions (W x H x D)	1070 x 630 x 98 mm
Weight	31.5 kg
Power consumption	298W (1.0W at stand by)
Power requirements	AC 100 ~ 240V ±10%, 50/60Hz (2.98-1.24A)
Operating temperature	0°C-40°C
Operating humidity	20%-80%
Operating atmospheric pressure	0.8 ~ 1.1 atmospheric pressure
Safety regulations	CE (EN60950, EN55022 classB, EN55024, EN61000-3-2, EN61000-3-3), IEC950, C-Tick (AS/NZS3260, AS/NZS3548)

PDP-433MXE Video input/output terminals			
Input	Connector	Signal	Level/Impedance
INPUT 1	IN	Mini D-sub 15-pin	RGB signal (G on Sync compatible) RGB : 0.7Vp-p/75Ω G on Sync : 1Vp-p/75Ω HD/CS,VD : TTL level/2.2kΩ
	OUT	Mini D-sub 15-pin	*Compatible with Microsoft Plug & Play (VESA DDC 1/2B) 75Ω
INPUT 2	IN	BNC x 5	RGB signal (G on Sync compatible) RGB : 0.7Vp-p/75Ω G on Sync : 1Vp-p/75Ω HD/CS,VD : TTL level/75Ω Or 2.2kΩ switchable
	OUT	BNC x 5	75Ω

PDP-433MXE Audio Input/Output Terminals			
Input/Output	Connector	Signal	Level/Impedance
Audio Input (Input 1/2)	IN	Stereo mini	L/R : 500mVrms/more than 10kΩ
Audio Output	OUT	Stereo mini	L/R : 500mVrms/less than 5kΩ (Fix) L/R : 0-500mVrms/less than 5kΩ (Variable)
Speaker	OUT		L/R : 8-16Ω/2W + 2W (8Ω)

PDP-433MXE Personal Computer Input Signal			
Resolution (dot x line)	Vertical frequency	Horizontal frequency	Usage
640 x 400	56.4 Hz	24.8 kHz	NEC PC-9800
	70.1 Hz	31.5 kHz	NEC PC-9800
640 x 480	60.0 Hz	31.5 kHz	(852 x 480) (864 x 480)
	66.7 Hz	35.0 kHz	Apple Macintosh 13"
800 x 600	72.0 Hz	37.9 kHz	
	75.0 Hz	37.5 kHz	
832 x 624	85.0 Hz	43.3 kHz	
	56.0 Hz	35.2 kHz	
852 x 480	60.0 Hz	37.9 kHz	
	72.0 Hz	48.1 kHz	
1024 x 768	75.0 Hz	46.9 kHz	
	85.0 Hz	53.7 kHz	
1152 x 864*	74.6 Hz	49.7 kHz	Apple Macintosh 16"
	60.0 Hz	31.7 kHz	
1152 x 870*	60.0 Hz	48.4 kHz	
	70.0 Hz	56.5 kHz	
1152 x 900*	75.0 Hz	60.0 kHz	
	85.0 Hz	68.7 kHz	() Indicates Apple Macintosh 19"
1280 x 768*	60.0 Hz	31.7 kHz	
	75.1 Hz	68.7 kHz	Apple Macintosh 21"
1280 x 960*	66.0 Hz	61.8 kHz	Sun Microsystems LO
	76.0 Hz	71.7 kHz	Sun Microsystems HI
1280 x 1024*	56.0 Hz	45.1 kHz	
	60.0 Hz	48.4 kHz	
1600 x 1200*	70.0 Hz	55.5 kHz	
	60.0 Hz	60.0 kHz	
1280 x 960*	60.0 Hz	64.0 kHz	
	75.0 Hz	80.0 kHz	
1280 x 1024*	85.0 Hz	91.1 kHz	
	60.0 Hz	75.0 kHz	
1600 x 1200*	65.0 Hz	81.3 kHz	
	70.0 Hz	87.5 kHz	
* Compressed display	75.0 Hz	93.8 kHz	
	85.0 Hz	106.3 kHz	

PDP-433MXE with PDA-5002 PC signal (DVI)		
Resolution (dot x line)	Vertical frequency	Horizontal frequency
640 x 480	60.0 Hz	31.5 kHz
800 x 600	56.0 Hz	35.2 kHz
	60.0 Hz	37.9 kHz
1024 x 768	60.0 Hz	48.4 kHz
1152 x 864*	60.0 Hz	53.7 kHz
1280 x 768*	56.0 Hz	45.1 kHz
	60.0 Hz	48.4 kHz
1280 x 960*	60.0 Hz	60.0 kHz
1280 x 1024*	60.0 Hz	64.0 kHz

* Compressed or partial display

Personal computer screen display						
	VGA	SVGA	XGA	WXGA	SXGA	UXGA
True						
4:3 Expanded / Compressed						
Full						

*Compressed
Note: WXGA input is 1280 x 768



PDP-503MXE



PDP-433MXE

Notice
This equipment is sold on the condition that it will be installed by a competent professional engineer with sufficient training and skill to carry out proper installation. Be sure to entrust the installation and setup of this machine only to a competent professional or retail service engineer. Pioneer cannot accept liability in case where the equipment is damaged due to inappropriate installation location, improper assembly, installation, set-up, operation or renovation, or by natural disasters.

PDP-503/433MXE Terminal configurations

